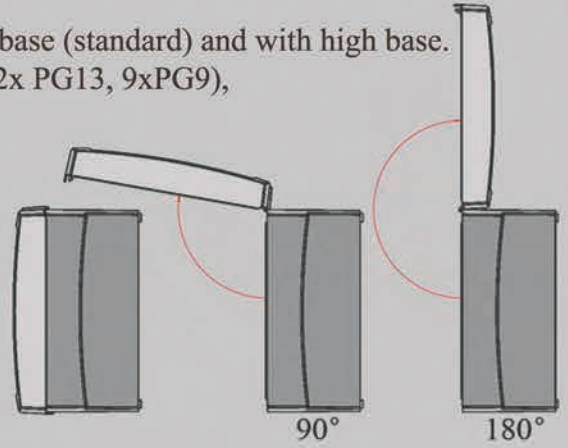


The Pacific System Overview

All Pacific Units are now available in 2 sizes - with flat base (standard) and with high base. Units with flat base are equipped with 11 cable glands (2x PG13, 9xPG9), units with high base - with 12 (4xPG13, 8xPG9).



Standard (flat base) C11PB

High base C11PBH

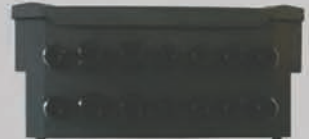


Pacific Combi Unit

For 4 probes, with 6 on/off input and outputs and 6 relays

Standard (flat base) C11PCO

High base C11PCOH

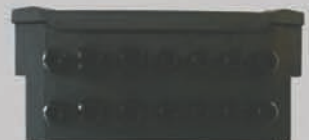


Pacific Analogue Unit

With 8 analogue inputs

Standard (flat base) C11PANI8

High base C11PANI8H



Pacific Probe Unit

For 8 probes, with 1 relay

Standard (flat base) C11PP8

High base C11PP8H



Pacific SMS Unit C11PSMS





OxyGuard®

Pacific I/O Unit With 8 on/off inputs or outputs , and 8 relays

Standard (flat base) C11PIO8

High base C11PIO8H



Wireless for Pacific Main Unit C12PWMU



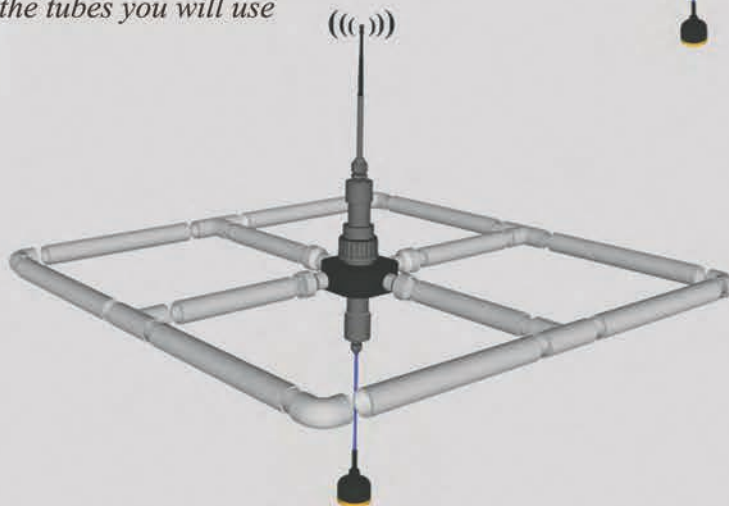
**Please note that the wireless module has to be ordered together with the Pacific Main Unit*

Wireless Unit for Probe, fix mount C12WPU



Wireless Unit for Probe, for float C12WPUFL

**For flotation tubes- please state the outer diameter of the tubes you will use*



Commander software (C11PSOFT) for online values, no data logging

Datalog Controller Unit (C11PLOG) for the use with C11PSOFT, for up to 3 Pacific systems

OxyGuard International A/S
Farum Gydevej 64, DK-3520 Farum, Denmark
Tel. +45 45822094, Fax +45 45821994
www.oxyguard.dk
oxyguard@oxyguard.dk

Brochure gb0414

